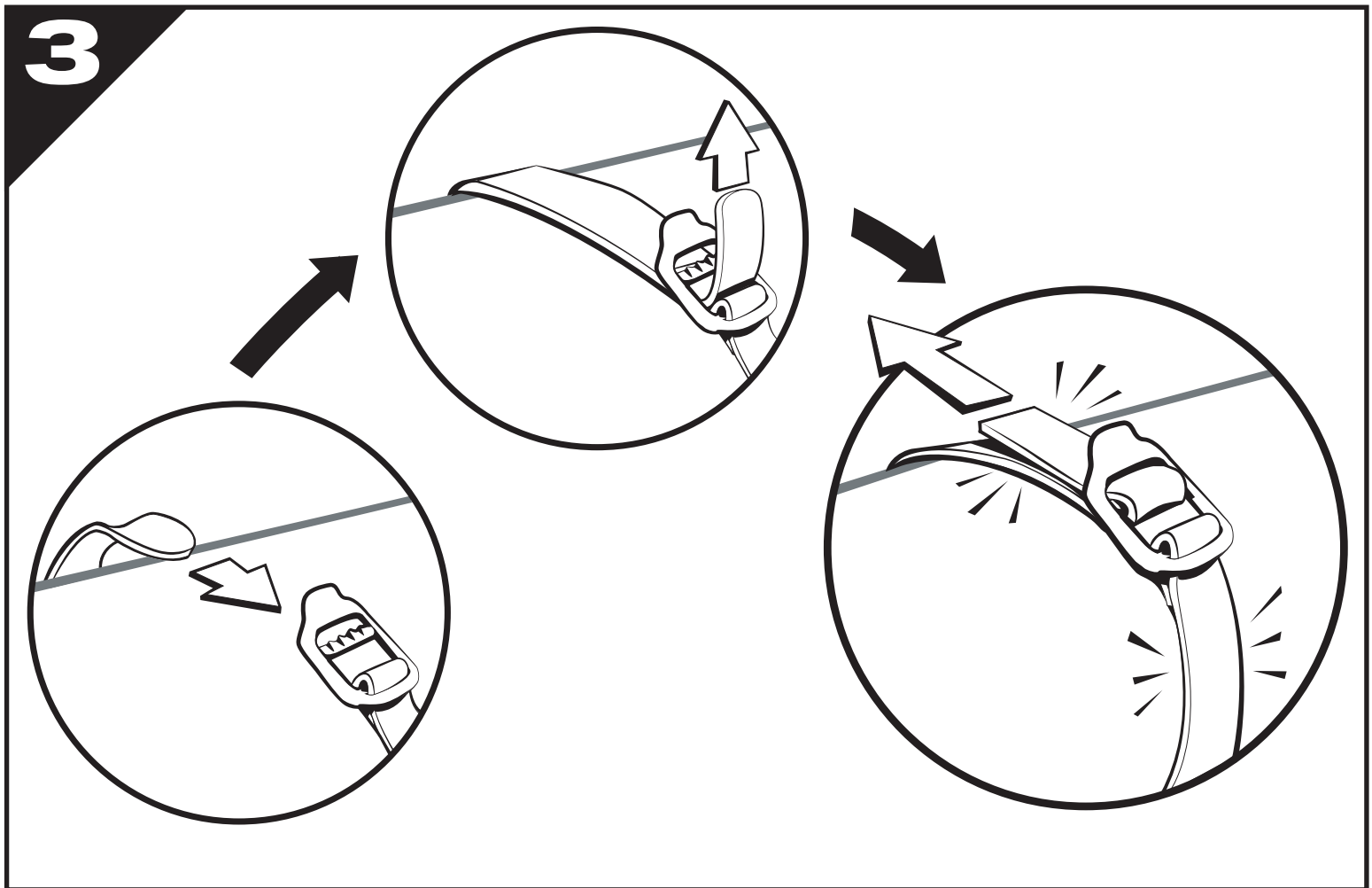
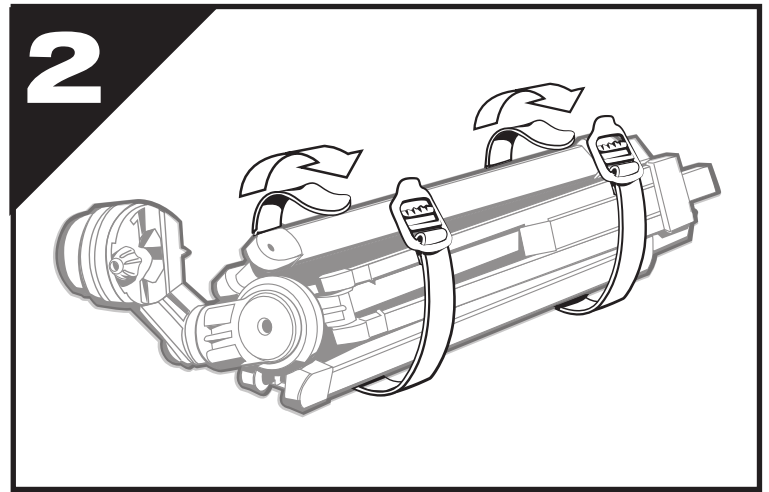
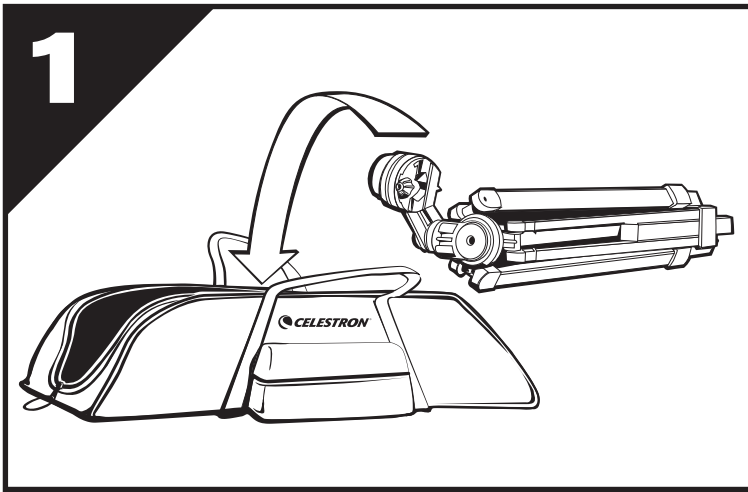


# 34" TRIPOD BAG

QUICK SETUP GUIDE

**CELESTRON**

MODEL #94028



**WARRANTY**  
[celestron.com/support/warranties](http://celestron.com/support/warranties)

© 2020 Celestron • All rights reserved

[celestron.com](http://celestron.com)

# 34" TRIPOD BAG

QUICK SETUP GUIDE

